

NEW



# CAPTIS CLAMPING SYSTEM

The modular and flexible system for  
internal and external clamping

**RÖHM**  
driven by technology

# CAPTIS CLAMPING SYSTEM

The new, modularly designed CAPTIS clamping system is very impressive with its high level of flexibility and compact design for an enlarged working space. In less than a minute, a quick conversion from external to internal clamping can be implemented thanks to its innovative and patent-pending rapid-change function. The encompassing clamping of the CAPTIS collets features proven RÖHM quality with its high concentricity and repeatability of 0.005 mm and excellent force distribution.

## CAPTIS COLLET CHUCK, ROTATING

For use on lathes.  
Power operated.

- ⊕ Modular construction for maximum flexibility
- ⊕ Compact design for more work space within the machine
- ⊕ Various combination and retooling possibilities

### CAPTIS-D

With axial pull and with through-hole. Shortest design. Convertible to CAPTIS-A.

- ⊕ Ideal for rod and tube processing

### CAPTIS-A

With axial pull. Workpiece stop can be installed. Pull-down effect at the stop. Convertible to CAPTIS-D.

- ⊕ Ideal for flange-like workpieces

### CAPTIS-AF

With axial fixed collet. Workpiece stop optional.

- ⊕ Ideal for delicate workpieces, short clamping surfaces and for use in opposed spindles or counter spindles



## CAPTIS-MS COLLET CHUCK, STATIONARY

For use in stationary drilling, milling and machining centers, measuring machines and manual machining. Manual operation with hydraulic power amplification.

- ⊕ Easy handling: For tightening the collet or mandrel, you just need to turn the key by up to 180°
- ⊕ 3-sided mounting
- ⊕ Can be optionally equipped with workpiece stop



# CAPTIS SYSTEM COMPONENTS

## SYSTEM COMPONENTS

The design as a consistently modular system makes it possible to combine individual components such as CAPTIS collet chuck, CAPTIS collet and ABSIS-C mandrel depending on the application.



## CAPTIS COLLET

- ⌚ Interchangeable rubber segments made of an innovative rubber compound for maximum durability
- ⌚ Clamping range  $\pm 0.5$  mm
- ⌚ Hardened and ground steel segments for high wear resistance



Different designs for clamping of machined and unmachined parts available.

## CHANGING DEVICE

The quick and easy collet change within 15 seconds reduces set-up times.



## ABSIS-C MANDREL

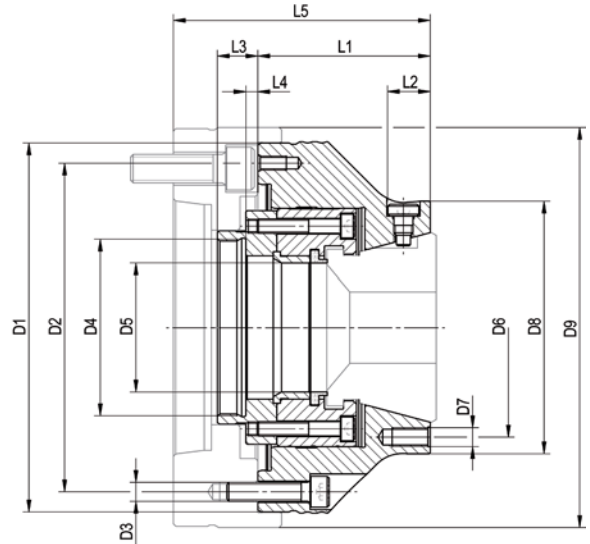
- ⌚ Innovative, patent-pending rapid-change function for quick retooling from external to internal clamping in less than one minute
- ⌚ Rapid change of clamping sleeves due to a central clamping screw
- ⌚ Stable and precise clamping due to axial pull



Mandrel suitable for CAPTIS-D, CAPTIS-A und CAPTIS-MS.

# CAPTIS-D COLLET CHUCK

WITH AXIAL PULL AND THROUGH-HOLE



C 15  
CAPTIS-D collet chuck - with axial pull

Size	32	42	52	65	80	100	120
Collet chucks	1283101	1283102	1283103	1283104	1283105 ▲	1283106 ▲	1283107 ▲
D1 mm	137	137	155	155	215	215	250
D2 mm	100	118	138	138	190	190	215
D3	6x M8	6x M8	6x M8	6x M8	6x M12	6x M12	6x M12
D4 mm	M54x1,5	M54x1,5	M74x1,5	M74x1,5	M94x1,5	M120x1,5	M132x1,5
D5 mm	34	44	54	68	82	102	122
D6 mm	70	92	92	110	132	190	225
D7	3x M8	3x M8	3x M8	3x M8	3x M10	3x M12	3x M12
D8 mm	84	106	106	122	152	215	250
L1 mm	70,5	69	72,5	78	85	102	102
L2 mm	18	18	18	26	19	-	-
L3 mm	17	17	17	17	20	20	20
L4 min	1,5	1,5	1,5	1,5	-0,5	-0,5	-0,5
L4 max	7,5	7,5	7,5	7,5	5,5	5,5	5,5
Total stroke mm	6	6	6	6	6	6	6
Maximum draw bar pull kN	25	35	40	45	50	65	70
Total clamping force kN	60	70	80	90	100	130	140
Speed max, min <sup>-1</sup>	8000	7000	6500	6000	5500	5000	4000
Chucking capacity mm	4-32	4-42	4-52	4-65	5-80	42-100	62-120
Clamping device manual	1283285	1283286	1283287	1283288	-	-	-
Clamping device air operated	431955 ▲	6898 ▲	436285 ▲	6898 ▲	1124 ▲	6352 ▲	6901 ▲
Conversion kit to CAPTIS-A	1283256	1283257	1283258	1283259	1283260	1283261	1283262
Turning fixture for soft collets	1316901 ▲	1316902 ▲	1316903 ▲	1316904 ▲	1316905 ▲	1316906 ▲	1316907 ▲

Intermediate flange ISO 702-1 (DIN 55028)

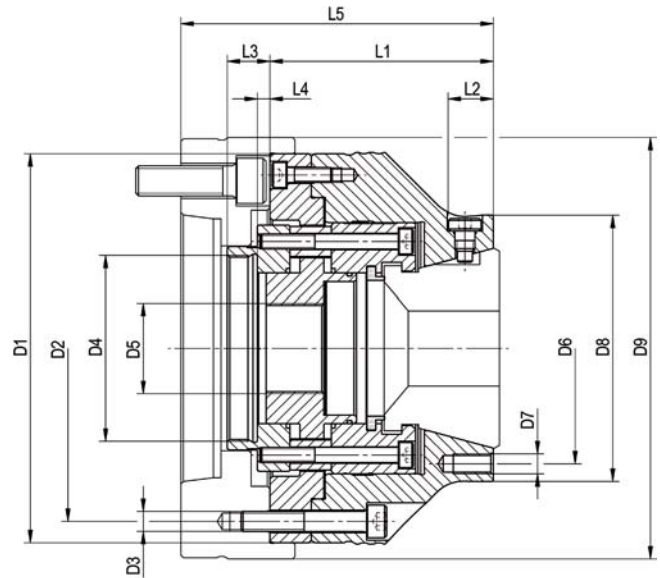
Size	32-A5	/42-A5	32-A6	42-A6	52-A5	65-A5	52-A6	65-A6	52-A8	65-A8	80-A6	100-A6	80-A8	100-A8	120-A8	120-A11
Intermediate flange	1283194		1283195		1283198		1283199		1283200		1283203 ▲		1283204 ▲		1283207 ▲	1283209 ▲
D9	150		165		168		168		210		230		230		270	280
L5	105	103,5	106	104,5	108,5	114	108	113,5	114,5	120	132	149	125	142	157	142

Intermediate flange cylindrical centre mount

Size	32-Z140	42-Z140	52-Z140	65-Z140	52-Z170	65-Z170	80-Z170	100-Z170	80-Z220	100-Z220	120-Z220
Intermediate flange	1283196		1283201		1283202		1283205 ▲		1283206 ▲		1283208 ▲
D9	150		168		180		230		230		270
L5	90	88,5	100	105,5	95	100,5	132	149	125	142	157

# CAPTIS-A COLLET CHUCK

WITH AXIAL PULL, PREPARED FOR WORKPIECE STOP



C 15  
CAPTIS-A collet chuck - with axial tension against workpiece stop

Size	32	42	52	65	80	100	120
<b>Collet chucks</b>	<b>1283108</b>	<b>1283109</b>	<b>1283110</b>	<b>1283111</b>	<b>1283112 ▲</b>	<b>1283113 ▲</b>	<b>1283114 ▲</b>
D1 mm	137	137	155	155	215	215	250
D2 mm	100	118	138	138	190	190	225
D3	6x M8	6x M8	6x M8	6x M8	6x M12	6x M12	6x M12
D4 mm	M54x1,5	M54x1,5	M74x1,5	M74x1,5	M94x1,5	M120x1,5	M132x1,5
D 5 mm	M22x1,5	M30x1,5	M36x1,5	M50x1,5	M55x1,5	M85x1,5	M105x1,5
D 6 mm	70	92	92	110	132	190	225
D7	3x M8	3x M8	3x M8	3x M8	3x M10	3xM12	3x M12
D8 mm	84	106	106	122	152	215	250
L1 mm	84	82,5	89	94,5	103	122	122
L2 mm	18	18	18	26	19	-	-
L3 mm	17	17	17	17	20	20	20
L4 min mm	1,5	1,5	1,5	1,5	-0,5	-0,5	-0,5
L4 max mm	7,5	7,5	7,5	7,5	5,5	5,5	5,5
Total stroke mm	6	6	6	6	6	6	6
Maximum draw bar pull kN	25	35	40	45	50	65	70
Total clamping force kN	60	70	80	90	100	130	140
Speed max, min <sup>-1</sup>	8000	7000	6500	6000	5500	5000	4000
Chucking capacity mm	4-32	4-42	4-52	4-65	5-80	42-100	62-120
<b>Clamping device manual</b>	<b>1283285</b>	<b>1283286</b>	<b>1283287</b>	<b>1283288</b>	-	-	-
<b>Clamping device air operated</b>	<b>431955 ▲</b>	<b>6898 ▲</b>	<b>436285 ▲</b>	<b>6898 ▲</b>	<b>1124 ▲</b>	<b>6352 ▲</b>	<b>6901 ▲</b>
<b>Conversion kit to CAPTIS-A</b>	<b>1283249</b>	<b>1283250</b>	<b>1283251</b>	<b>1283252</b>	<b>1283253</b>	<b>1283254</b>	<b>1283255</b>
<b>Turning fixture for soft collets</b>	<b>1316901 ▲</b>	<b>1316902 ▲</b>	<b>1316903 ▲</b>	<b>1316904 ▲</b>	<b>1316905 ▲</b>	<b>1316906 ▲</b>	<b>1316907 ▲</b>

Intermediate flange ISO 702-1 (DIN 55028)

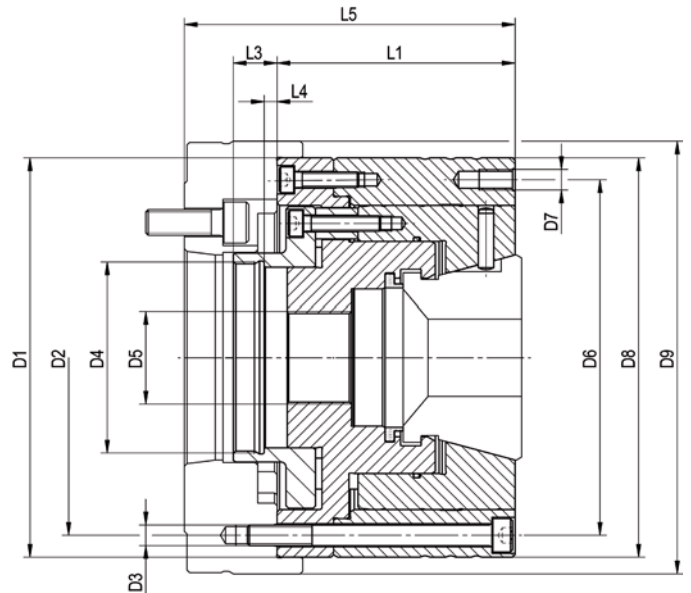
Size	32-A5	/42-A5	32-A6	42-A6	52-A5	65-A5	52-A6	65-A6	52-A8	65-A8	80-A6	100-A6	80-A8	100-A8	120-A8	120-A11
<b>Intermediate flange</b>	<b>1283194</b>		<b>1283195</b>		<b>1283198</b>		<b>1283199</b>		<b>1283200</b>		<b>1283203 ▲</b>		<b>1283204 ▲</b>		<b>1283207 ▲</b>	<b>1283209 ▲</b>
D9	150		165		168		168		210		230		230		270	280
L5	118,5	117	119,5	118	125	130,5	124,5	130	131	136,5	150	169	143	162	177	162

Intermediate flange cylindrical centre mount

Size	32-Z140	42-Z140	52-Z140	65-Z140	52-Z170	65-Z170	80-Z170	100-Z170	80-Z220	100-Z220	120-Z220
<b>Intermediate flange</b>	<b>1283196</b>		<b>1283201</b>		<b>1283202</b>		<b>1283205</b>		<b>1283206 ▲</b>		<b>1283208 ▲</b>
D9	150		168		180		230		230		270
L5	103,5	102	116,5	122	111,5	117	150	169	143	162	177

# CAPTIS-AF COLLET CHUCK

WITH AXIAL FIX COLLET, PREPARED FOR WORKPIECE STOP



C 15

**CAPTIS-AF collet chuck** - axially stationary collect chuck, no axial tension against internal workpiece stop

Size	32	42	52	65	80	100	120
<b>Collet chucks</b>	<b>1285001</b>	<b>1285002</b>	<b>1285003</b>	<b>1285004</b>	<b>1285005 ▲</b>	<b>1285006 ▲</b>	<b>1285007 ▲</b>
D1 mm	137	137	155	155	215	215	250
D2 mm	120	120	138	138	190	190	225
D3	6x M8	6x M8	6x M8	6x M8	6x M12	6x M12	6x M12
D4 mm	M48x1,5	M54x1,5	M74x1,5	M74x1,5	M120x1,5	M120x1,5	M132x1,5
D5 mm	M22x1,5	M30x1,5	M36x1,5	M50x1,5	M65x1,5	M85x1,5	M105x1,5
D 6 mm	94	120	138	138	190	190	225
D7	3x M6	3x M8	3x M8	3x M8	3x M8	3x M8	3x M8
D8 mm	105	137	155	155	215	215	250
L1 mm	80,5	81	92,5	92,5	102	102	122
L2 mm	34,7	-	-	-	-	-	-
L3 mm	15,5	16	17	17	18,5	18,5	18,5
L4 min mm	-4	-2,5	2,5	2,5	-1	-1	-1
L4 max mm	2	3,5	8,5	8,5	5	5	5
Total stroke mm	6	6	6	6	6	6	6
Maximum draw bar pull kN	25	35	40	45	50	65	70
Total clamping force kN	60	70	80	90	100	130	140
Speed max, min <sup>-1</sup>	8000	7000	6500	6000	5500	5000	4000
Chucking capacity mm	4-32	4-42	4-52	4-65	5-80	42-100	62-120
<b>Clamping device manual</b>	<b>1283285</b>	<b>1283286</b>	<b>1283287</b>	<b>1283288</b>	-	-	-
<b>Clamping device air operated</b>	<b>431955 ▲</b>	<b>6898 ▲</b>	<b>436285 ▲</b>	<b>6898 ▲</b>	<b>1124 ▲</b>	<b>6352 ▲</b>	<b>6901 ▲</b>
<b>Turning fixture for soft collets</b>	<b>1316901 ▲</b>	<b>1316902 ▲</b>	<b>1316903 ▲</b>	<b>1316904 ▲</b>	<b>1316905 ▲</b>	<b>1316906 ▲</b>	<b>1316907 ▲</b>

Intermediate flange ISO 702-1 (DIN 55028)

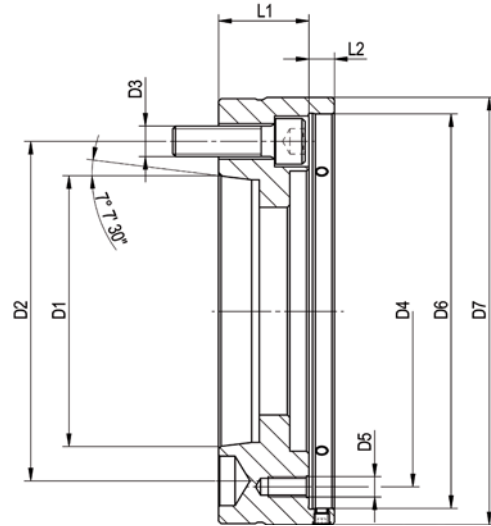
Size	32-A5	/42-A5	32-A6	42-A6	52-A5	65-A5	52-A6	65-A6	52-A8	65-A8	80-A6	100-A6	80-A8	100-A8	120-A8	120-A11
<b>Intermediate flange</b>	<b>1283194</b>		<b>1283195</b>		<b>1283198</b>		<b>1283199</b>		<b>1283200</b>		<b>1283203 ▲</b>		<b>1283204 ▲</b>		<b>1283207 ▲</b>	<b>1283209 ▲</b>
D9	150		165		168		168		210		230		230		270	280
L5	115	115,5	116	116,5	128,5	128,5	128	128	134,5	134,5	149	149	142	142	177	162

Intermediate flange cylindrical centre mount

Size	32-Z140	42-Z140	52-Z140	65-Z140	52-Z170	65-Z170	80-Z170	100-Z170	80-Z220	100-Z220	120-Z220
<b>Intermediate flange</b>	<b>1283196</b>		<b>1283201</b>		<b>1283202</b>		<b>1283205 ▲</b>		<b>1283206 ▲</b>		<b>1283208 ▲</b>
D9	150		168		180		230		230		270
L5	100	100,5	120	120	115	115	149	149	142	142	177

# CAPTIS INTERMEDIATE FLANGE

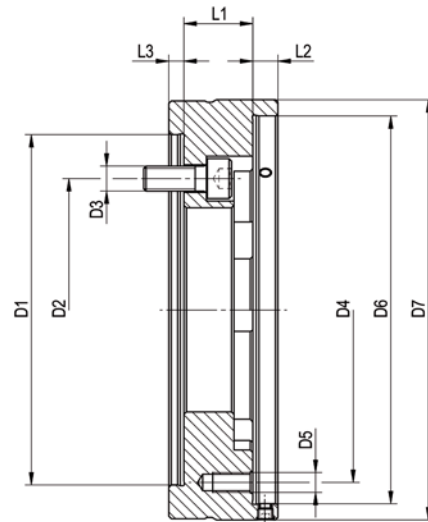
FOR CAPTIS-D, CAPTIS-A, CAPTIS-AF



C 15

Intermediate flange ISO 702-1 (DIN 55028) with adjusting screw

Size	32/42-A5	32/42-A6	52/65-A5	52/65-A6	52/65-A8	80/100-A6	80/100-A8	120-A8	120-A11
Intermediate flange	1283194	1283195	1283198	1283199	1283200	1283203 ▲	1283204 ▲	1283207 ▲	1283209 ▲
D1 mm	82,563	106,375	82,563	106,375	139,719	106,375	139,719	139,719	196,869
D2 mm	104,8	133,4	104,8	133,4	171,4	133,4	171,4	171,4	235
D3	6x M10	3x M12	6x M10	3x M12	3x M16	6x M12	3x M16	6x M16	3x M20
D4 mm	100/120	100/120	138	138	138	190	190	225	225
D5	6x M8	6x M8	6x M8	6x M8	6x M8	6x M12	6x M12	6x M12	6x M12
D6 mm	137	137	155	155	155	215	215	250	250
D7 mm	150	165	168	168	210	230	230	270	280
L1 mm	34,5	35,5	36	35,5	42	47	40	55	40
L2 mm	10	10	10	10	10	10	10	12	12

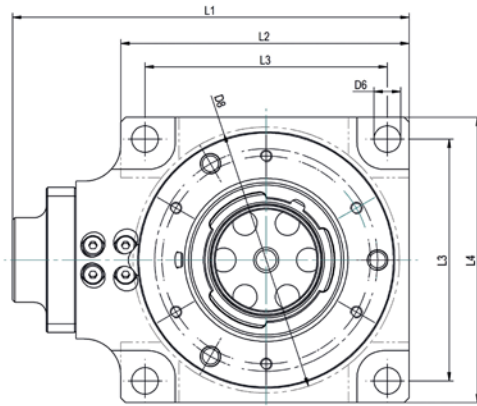
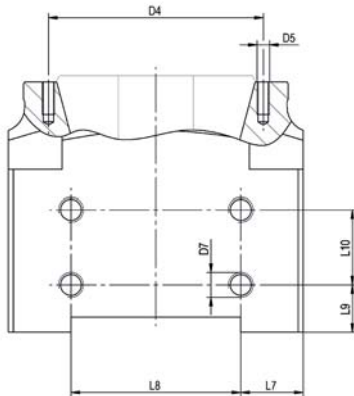
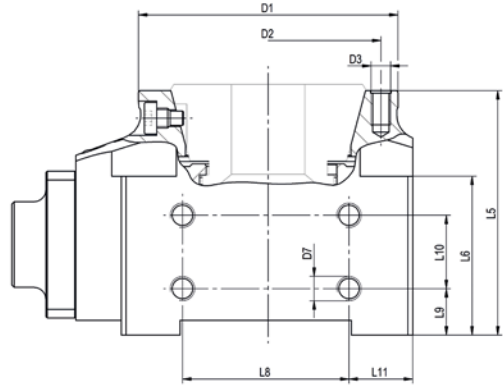


C 15

Intermediate flange cylindrical centre mount with adjusting screw

Size	32/42-Z140	52/65-Z140	52/65-Z170	80/100-Z170	80/100-Z220	120-Z220
Intermediate flange	1283196	1283201	1283202	1283205 ▲	1283206 ▲	1283208 ▲
D1 mm	140	140	170	170	220	220
D2 mm	104,8	104,8	133,4	133,4	171,4	171,4
D3	6x M10	6x M10	6x M12	6x M12	6x M16	6x M16
D4 mm	100/120	138	138	190	190	225
D5	6x M8	6x M8	6x M8	6x M12	6x M12	6x M12
D6 mm	137	155	155	215	215	250
D7 mm	150	168	180	230	230	270
L1 mm	19,5	27,5	22,5	47	40	55
L2 mm	10	10	10	10	10	12
L3 mm	6	6	6	6	6	6

# CAPTIS-MS COLLET CHUCK



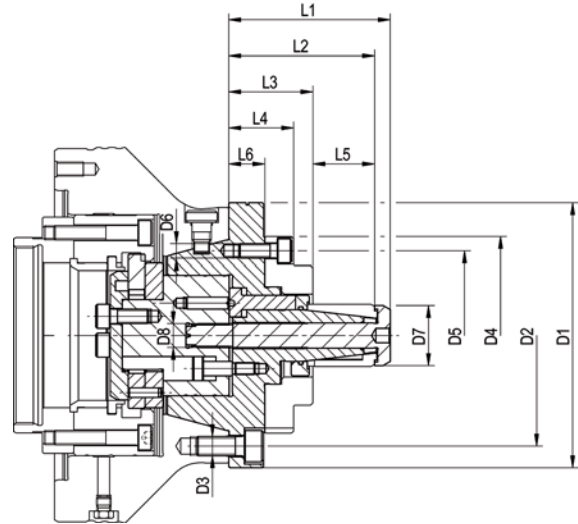
C 15  
CAPTIS-MS stationary power chuck

Size	32	42	52	65
Stationary power chucks	1284189	1284190	1284191	1284192
D1 mm	84	106	106	122
D2 mm	70	92	92	110
D3	M8	M8	M8	M8
D4 mm	66	86	86	107
D5	M5	M5	M5	M5
D7 mm	11	11	11	11
L1 mm	145	162	162	176
L2 mm	105	117,5	117,5	130
L3 mm	80	100	100	112
L4 mm	100	118	118	130
L5 mm	100	100	100	104
L6 mm	65	65	65	57



# ABSIS-C MANDREL

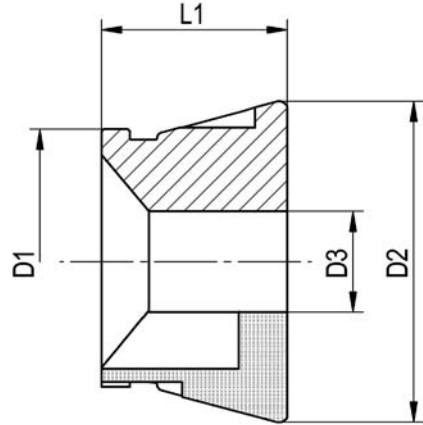
SUITABLE FOR CAPTIS-D, CAPTIS-A, CAPTIS-MS



A 18  
ABSIS-C clamping mandrel

Size	ABSIS 00	ABSIS 00	ABSIS 00	ABSIS 00	ABSIS 01	ABSIS 01	ABSIS 01	ABSIS 01	ABSIS 02	ABSIS 02	ABSIS 02	ABSIS 03
Segment clamping mandrel	1286200	1286201	1286202	1286203	1286204	1286205	1286206	1286207	1286208	1286209	1286210	1286211
For	CAPTIS 32	CAPTIS 42	CAPTIS 52	CAPTIS 65	CAPTIS 32	CAPTIS 42	CAPTIS 52	CAPTIS 65	CAPTIS 42	CAPTIS 52	CAPTIS 65	CAPTIS 65
D Min-Ø unclamped from	19,7	19,7	19,7	19,7	25,7	25,7	25,7	25,7	35,7	35,7	35,7	50,7
D Min-Ø unclamped to	27,7	27,7	27,7	27,7	38,7	38,7	38,7	38,7	54,7	54,7	54,7	81,7
D1 mm	88	108	110	128	88	108	110	128	110	110	128	128
D2 mm	70	90	92	110	70	90	92	110	90	92	110	110
D3	3x M8	3x M8	3x M8	3x M8	3x M8	3x M8	3x M8	3x M8	3x M8	3x M8	3x M8	3x M8
D4 mm	82	82	82	82	82	82	82	82	97	97	97	102
D5 mm	70	70	70	70	70	70	70	70	84	84	84	89
D6	3x M6	3x M6	3x M6	3x M6	3x M6	3x M6	3x M6	3x M6	3x M6	3x M6	3x M6	3x M6
D7 mm	19	19	19	19	25	25	25	25	35	35	35	48
D8 mm	M6x0,75	M6x0,75	M6x0,75	M6x0,75	M10x1	M10x1	M10x1	M10x1	M14x1	M14x1	M14x1	M18x1
L1 mm	62,2	62,2	62,2	62,2	67,2	67,2	67,2	67,2	95,2	95,2	95,2	105,2
L2 mm	56,7	56,7	56,7	56,7	60,7	60,7	60,7	60,7	85	85	85	93,2
L3 mm	35	35	35	35	35	35	35	35	42,5	42,5	42,5	44,5
L4 mm	25	25	25	25	27	27	27	27	30,25	30,25	30,25	31,5
L5 mm	21,7	21,7	21,7	21,7	25,7	25,7	25,7	25,7	42,5	42,5	42,5	48,7
L6 mm	15	15	15	15	15	15	15	15	18	18	18	18,5

# CAPTIS COLLET



(G): Smooth  
 (LQ): Longitudinal and transverse grooves  
 (Q): Transverse grooves  
 (W): Soft

from 4-7 mm smooth  
 from 8-10 mm with trans. grooves caused by production

\* Please specify clamping diameters D3 in the order, valid for collet chucks type LQ + Q

### Clamping of unmachined parts with extension

Size	D1	D2	L1	LQ	Q	G	W	Round	Hexagon	Square	Raising	Order No.
32	46,2	57,7	47	X				8-32mm			1	CAPTIS-32-47-RLQ / D3*
32	46,2	57,7	47		X				7-27mm		1	CAPTIS-32-47-SQ / D3*
32	46,2	57,7	47		X					7-22mm	1	CAPTIS-32-47-VQ / D3*

### Clamping of unmachined parts without extension

Size	D1	D2	L1	LQ	Q	G	W	Round	Hexagon	Square	Raising	Order No.
32	46,2	57,7	44			X		4-32mm			1	CAPTIS-32-44-RG / D3*
32	46,2	57,7	44				X	5,15,20mm			1	CAPTIS-32-44-WG / D3*

### Clamping of unmachined parts with extension

Size	D1	D2	L1	LQ	Q	G	W	Round	Hexagon	Square	Raising	Order No.
42	54	79,5	47	X				8-42mm			0,5	CAPTIS-42-47-RLQ / D3*
42	54	79,5	47		X				7-36mm		1	CAPTIS-42-47-SQ / D3*
42	54	79,5	47		X					7-30mm	1	CAPTIS-42-47-VQ / D3*

### Clamping of machined parts without extension

Size	D1	D2	L1	LQ	Q	G	W	Round	Hexagon	Square	Raising	Order No.
42	54	79,5	42			X		4-42mm			0,5	CAPTIS-42-42-RG / D3*
42	54	79,5	42				X	8,15,30mm			0,5	CAPTIS-42-42-WG / D3*

### Clamping of unmachined parts with extension

Size	D1	D2	L1	LQ	Q	G	W	Round	Hexagon	Square	Raising	Order No.
52	65,7	79,5	46	X				8-52mm			0,5	CAPTIS-52-46-RLQ / D3*
52	65,7	79,5	46		X				7-45mm		1	CAPTIS-52-46-SQ / D3*
52	65,7	79,5	46		X					8-36mm	1	CAPTIS-52-46-VQ / D3*

### Clamping of machined parts without extension

Size	D1	D2	L1	LQ	Q	G	W	Round	Hexagon	Square	Raising	Order No.
52	65,7	79,5	46			X		4-52mm			0,5	CAPTIS-52-46-RG / D3*
52	65,7	79,5	46				X	8,15,30mm			0,5	CAPTIS-52-46-WG / D3*

# CAPTIS COLLET

(G): Smooth  
 (LQ): Longitudinal and transverse grooves  
 (Q): Transverse grooves  
 (W): Soft

from 4-7 mm smooth  
 from 8-10 mm with trans. grooves  
 caused by production

\* Please specify clamping diameters D3 in the order, valid for collet chucks type LQ + Q

## Clamping of unmachined parts with extension

Size	D1	D2	L1	LQ	Q	G	W	Round	Hexagon	Square	Raising	Order No.
65	80	99,5	58	X				8-65mm			0,5	CAPTIS-65-58-RLQ / D3*
65	80	99,5	58		X				7-56mm		1	CAPTIS-65-58-SQ / D3*
65	80	99,5	58		X					7-46mm	1	CAPTIS-65-58-VQ / D3*

## Clamping of machined parts without extension

Size	D1	D2	L1	LQ	Q	G	W	Round	Hexagon	Square	Raising	Order No.
65	80	99,5	53			X		8-65mm			0,5	CAPTIS-65-53-RG / D3*
65	80	99,5	53				X	8,20,40mm			0,5	CAPTIS-65-53-WG / D3*

## Clamping of unmachined parts with extension

Size	D1	D2	L1	LQ	Q	G	W	Round	Hexagon	Square	Raising	Order No.
80	94,5	114,5	53	X				8-80mm			1	CAPTIS-80-53-RLQ / D3*
80	94,5	114,5	53		X				7-68mm		1	CAPTIS-80-53-SQ / D3*
80	94,5	114,5	53		X					8-42mm	1	CAPTIS-80-53-VQ / D3*

## Clamping of machined parts without extension

Size	D1	D2	L1	LQ	Q	G	W	Round	Hexagon	Square	Raising	Order No.
80	94,5	114,5	53			X		5-80mm			1	CAPTIS-80-53-RG / D3*
80	94,5	114,5	53				X	20,30,40,60mm			1	CAPTIS-80-53-WG / D3*

## Clamping of unmachined parts with extension

Size	D1	D2	L1	LQ	Q	G	W	Round	Hexagon	Square	Raising	Order No.
100	121	144,5	59	X				42-100mm			1	CAPTIS-100-59-RLQ / D3*
100	121	144,5	59		X				50-86mm		1	CAPTIS-100-59-SQ / D3*
100	121	144,5	59		X					50-70mm	1	CAPTIS-100-59-VQ / D3*

## Clamping of machined parts without extension

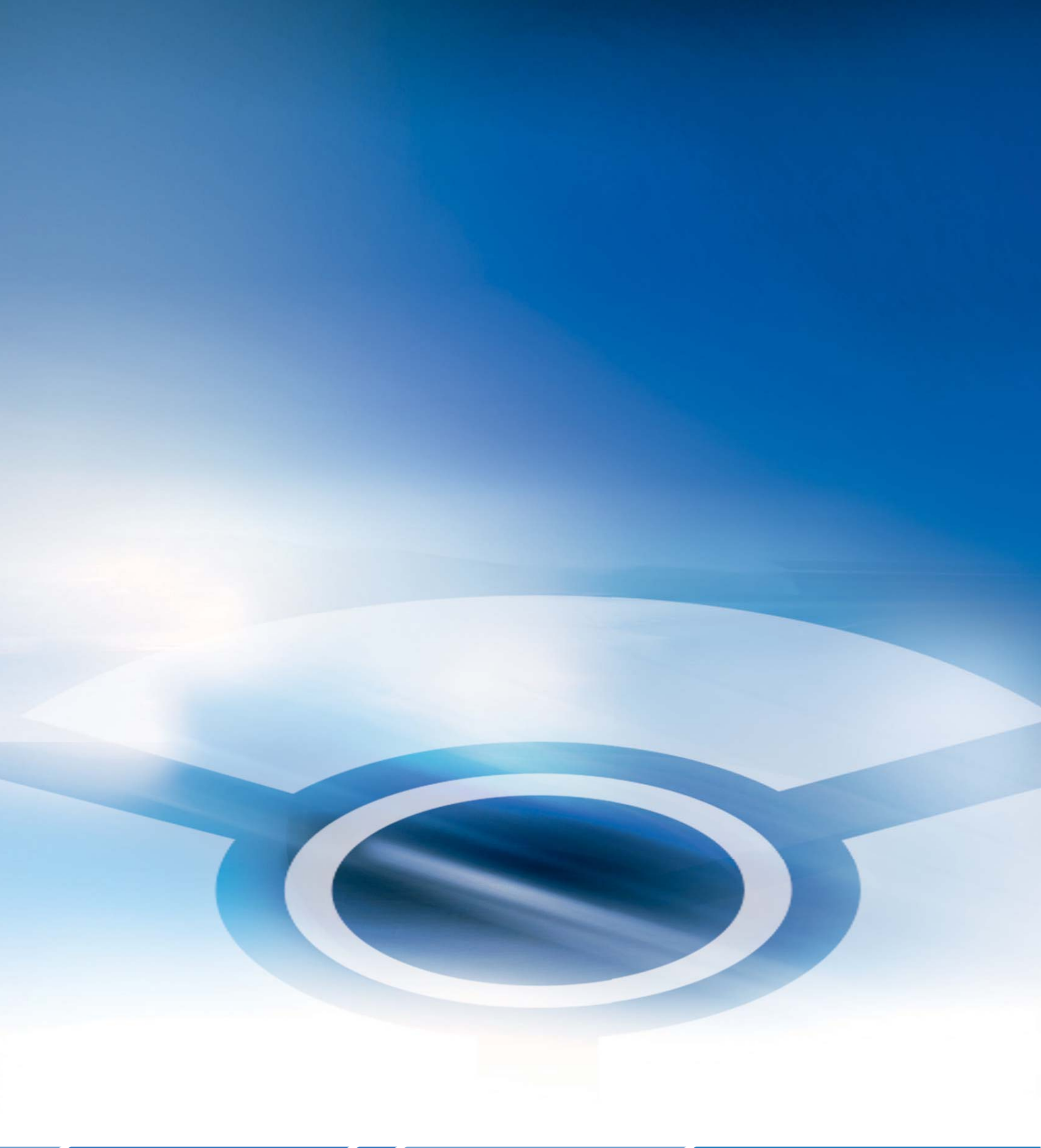
Size	D1	D2	L1	LQ	Q	G	W	Round	Hexagon	Square	Raising	Order No.
100	121	144,5	59			X		42-100mm			1	CAPTIS-100-59-RG / D3*
100	121	144,5	59				X	30,45,65,90mm			1	CAPTIS-100-59-WG / D3*

## Clamping of unmachined parts with extension

Size	D1	D2	L1	LQ	Q	G	W	Round	Hexagon	Square	Raising	Order No.
120	141,8	180	61	X				62-120mm			1	CAPTIS-120-61-RLQ / D3*
120	141,8	180	61		X				50-104mm		1	CAPTIS-120-61-SQ / D3*
120	141,8	180	61		X					50-85mm	1	CAPTIS-120-61-VQ / D3*

## Clamping of machined parts without extension

Size	D1	D2	L1	LQ	Q	G	W	Round	Hexagon	Square	Raising	Order No.
120	141,8	180	61			X		62-120mm			1	CAPTIS-120-61-RG / D3*
120	141,8	180	61				X	65,90,110mm			1	CAPTIS-120-61-WG / D3*



**RÖHM GmbH**

Heinrich-Röhm-Straße 50

89567 Sontheim/Brenz

Germany

Tel +49 7325 16 0

Fax +49 7325 16 510

info@roehm.biz

www.roehm.biz



Id.-Nr. 1242368 / 1115